



Model No. : OEM-EYB101/EasyPump



Flow Data

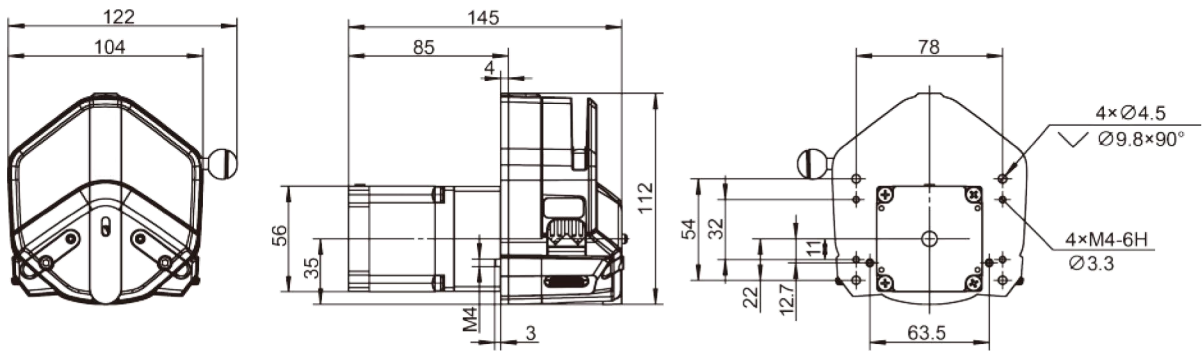
Pump Head	Tubing	ID×Wall thickness(mm)	mL / r	Flow Rate(mL/min) (0.1-350rpm)	Tubing Max.Pressure(Mpa)		Weight(kg)
					Intermittent	Continuous	
Single Channel EasyPump I/III	13#	0.8×1.6	0.053	0.0053~19	0.27	0.17	0.6
	14#	1.6×1.6	0.27	0.027~95			
	19#	2.4×1.6	0.55	0.055~193			
	16#	3.1×1.6	0.933	0.093~327			
Single Channel EasyPumpII/ IV	15#	4.8×2.4	1.8	0.180~630	0.27	0.17	
Dual Channel EasyPump V/VI	13#	0.8×1.6	0.053	0.0053~19	0.27	0.17	
	14#	1.6×1.6	0.27	0.027~95			
	19#	2.4×1.6	0.55	0.055~193			
	16#	3.1×1.6	0.933	0.093~630			

Motor Specification

Model No.	OEM-EYB101
Speed range	0.1-350rpm
Flow rate range	0.0053-630mL/min
Motor type	57-56 stepper motor
Motor phase number	2
Motor step angle	1.8°
Motor phase voltage	2.7V
Motor phase current	3.0A
Working environment	0-40°C, 80%RH



Dimension Drawing (Unit:mm)



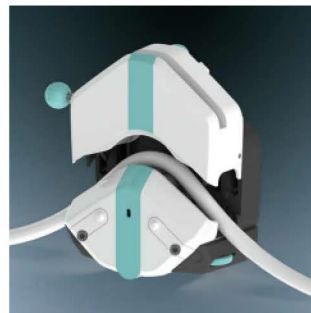
Tubing Installation Procedure



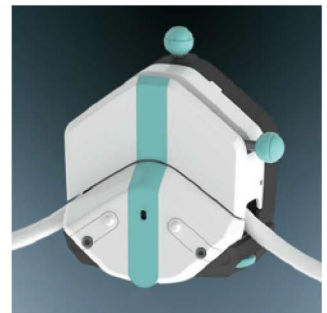
1. Turn the knob anticlockwise 180°, open the upper block.



2. Turn the rubbing wheel to adjust the lower tube clamp position, according to the tubing size.



3. Put the tube between rollers and upper block, tighten up the tubing lightly.



4. Turn the knob clockwise 180°, put the upper block back to original position, fasten the tube.