

Model No. : OEM-B242/B243/B244/EasyPump



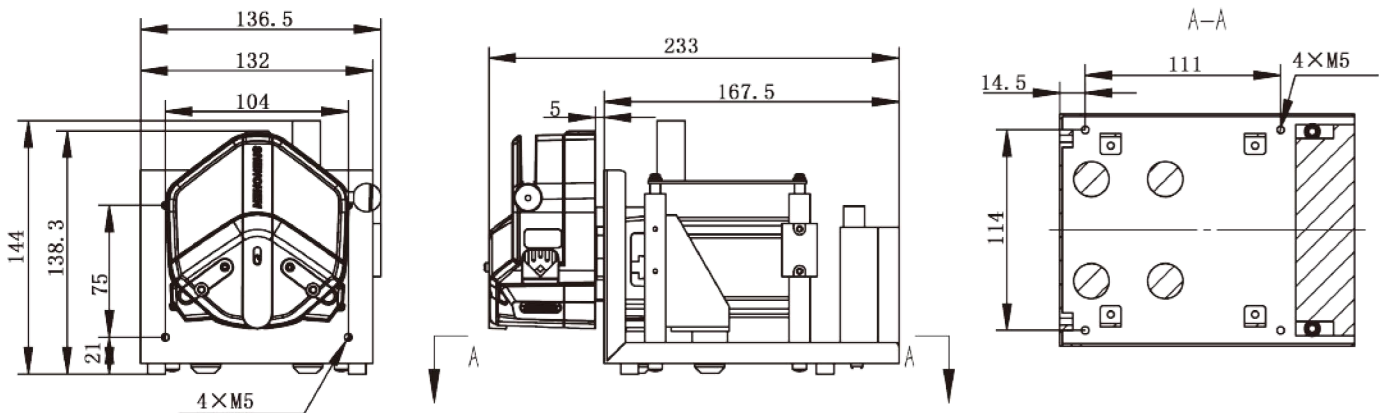
Flow Data

Pump Head	Tubing	ID×Wall thickness(mm)	mL / r	Flow Rate(mL/min) (0.1-600rpm)	Tubing Max.Pressure(Mpa)		Weight(kg)
					Intermittent	Continuous	
Single Channel EasyPump I/III	13#	0.8×1.6	0.053	0.0053~32	0.27	0.17	0.6
	14#	1.6×1.6	0.27	0.027~162			
	19#	2.4×1.6	0.55	0.055~330			
	16#	3.1×1.6	0.933	0.093~560	0.24	0.14	
	25#	4.8×1.6	1.967	0.197~1180	0.14	0.10	
	17#	6.4×1.6	3.333	0.333~2000	0.10	0.07	
	18#	7.9×1.6	4.3	0.430~2580			
Single Channel EasyPumpII/ IV	15#	4.8×2.4	1.8	0.180~1080	0.27	0.17	
	24#	6.4×2.4	2.733	0.273~1640			
	35#	7.9×2.4	3.833	0.383~2300	0.24	0.14	
	36#	9.6×2.4	5.167	0.517~3100			
Dual Channel EasyPump V/VI	13#	0.8×1.6	0.0053	0.0053~32	0.27	0.17	
	14#	1.6×1.6	0.27	0.027~162			
	19#	2.4×1.6	0.55	0.055~330			
	16#	3.1×1.6	0.933	0.093~560	0.24	0.14	
	25#	4.8×1.6	1.967	0.197~1180			

Motor Specification

Model No.	OEM-B242/B243/B244EasyPump
Motor type	Stepper motor
Display	Industrial grade 4.3" LCD color display
Control method	Touch screen and Mechanical keypad
Speed range	≤600rpm
Max.flow rate	3100mL/min
Function type	OEM-B242, Flow rate type; OEM-B243, Dispensing type ;OEM-B244, Multichannel filling type
Working environment	0-40°C, 80%RH

Dimension Drawing (Unit:mm)



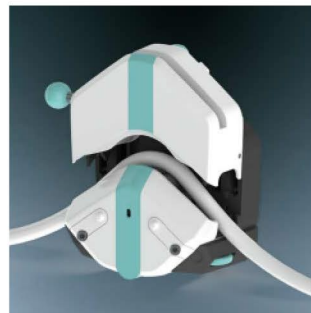
Tubing Installation Procedure



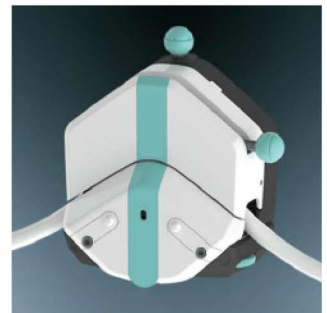
1. Turn the knob anticlockwise 180°, open the upper block.



2. Turn the rubbing wheel to adjust the lower tube clamp position, according to the tubing size.



3. Put the tube between rollers and upper block, tighten up the tubing lightly.



4. Turn the knob clockwise 180°, put the upper block back to original position, fasten the tube.