

Technical Specification

Model No. : OEM-KTB023
 Pump head: KT15 pump head
 Roller number: 4
 Suitable tubing: Silicone and Pharmed tube
 Motor type: Integrated closed-loop stepper motor
 Motor speed: 0.1-600
 Flow rate range: 0.0033-560.04mL/min
 Motor life: >10000hours

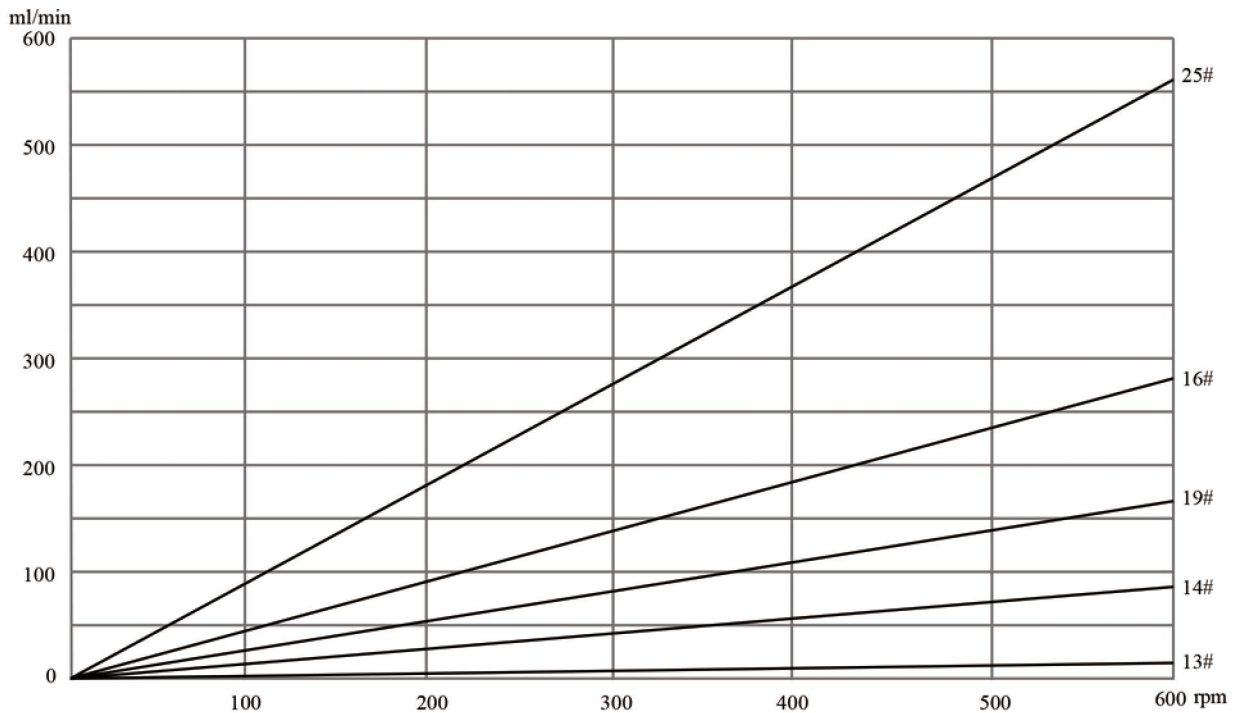
Silent Type



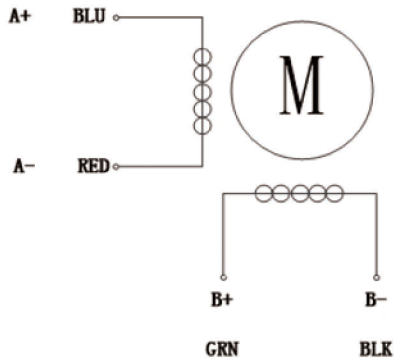
Flow Data

Pump Head	Channel number	Suitable Tubing		mL/r	Speed (rpm)	Flow Rate(mL/min)	Weight(kg)
		Tubing	ID×Wall thickness(mm)				
KT15	Single Channel	13#	0.8×1.6	0.033	0.1~600	0.0033~19.97	0.096
		14#	1.6×1.6	0.156		0.0156~93.42	
		19#	2.4×1.6	0.286		0.0286~171.6	
		16#	3.1×1.6	0.477		0.0477~286.32	
		25#	4.8×1.6	0.933		0.0933~560.04	

Note: Flow data measured with water and silicone tubing. This may vary considerably depending on the tube type, use period, ambient temperature, and lot tolerances, etc.

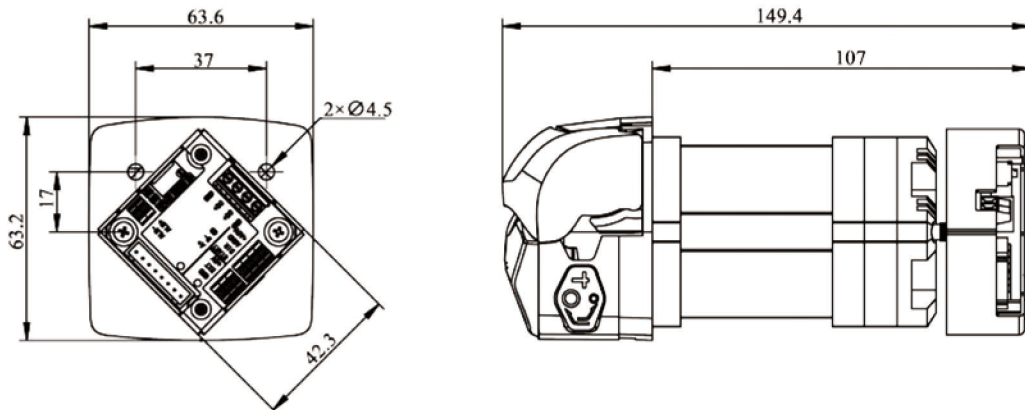


Motor Specification



Speed range	0.1-600
Flow rate range	0.0033-560.04mL/min
Control mode	RS485 communication
Communication address	1-32(Factory default is 1)
Signal output	Open-Collector output
Communication protocol	Support MODBUS protocol(RTU mode)
Power supply	DC24V-36V, $\geq 36W$
Motor type	42 Integrated closed-loop stepper motor
Working environment	0-40°C, 80%RH

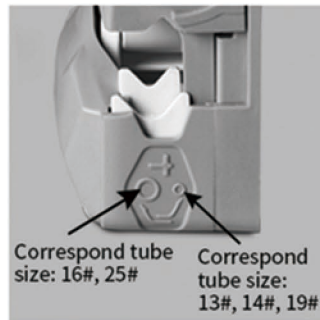
Dimension Drawing (Unit:mm)



Tubing Installation Procedure



1. Lift the flip top of the pump head to open the pump head.



2. Adjust the tube holder to the position corresponding to the installed size.



3. Put the tubing into the pump head.



4. Close the flip top of the pump head downward to complete the installation.

Tube Holder Position



Inner position for small tubing: 13#, 14#, 19#

Outer position for large tubing: 16#, 25#

Note: If the tube holder is in its inner position, for small tubing (13#, 14#, 19#), and larger tube (16#, 25#) is used, flow and tube life will be decreased.

If the tube holder is in its outer position, for large tubing (16#, 25#), and smaller tube (13#, 14#, 19#) is used, there is a risk that the tube will wander in the pump head and it may rupture.

Change The Tube Holder Position



Place the pointed device (such as a ball-point pen) pointing down into the small depression pictured here.

Press down the tube holder to the bottom, slid the pointed device to right or left side, then release the pressure, the jaw rises into its correct alignment.

If it does not rise, repeat the procedure.

Adjust the tube holder on the other side of the pump head in the same way.