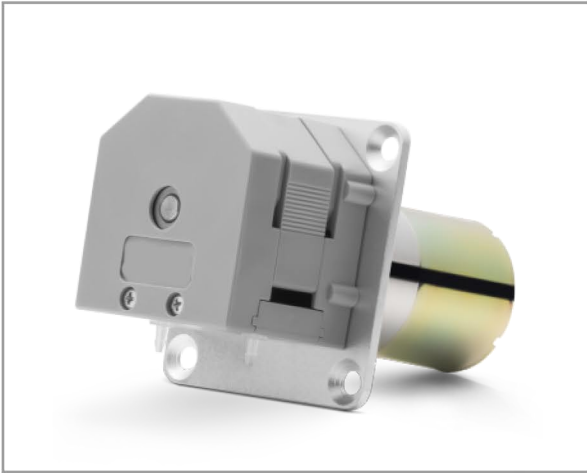


Model No. : OEM-MZ Series



Product Introduction

Minipump series products which adopt compact and embedded design are more suitable for supporting a variety of instruments and equipments. Single and dual channel are optional. It accepts 8 kinds of tubing. Flow rates are 0.0024-190 mL/min. PharMed BPT long-life tubing from French Saint-Gobain is installed in internal part of pump head. Applicable motors for Minipump are stepper motor, DC motor, AC motor and other modes to drive with wide applications.

Typical Application

Discharge condensate water in the flue gases survey meter.
Support biochemistry analytical instruments.

Flow Data

| Pump Head | Tubing | ID×Wall(thickness(mm) | mL / r | Speed (rpm) | Flow Rate (mL/min) |
|------------|--------|-----------------------|--------|-------------|--------------------|
| MiniPump01 | 13# | 0.8×1.6 | 0.024 | 0.1-300 | 0.0024-8.28 |
| | 14# | 1.6×1.6 | 0.112 | | 0.0112-33.88 |
| | 19# | 2.4×1.6 | 0.252 | | 0.0252-77.23 |
| | 16# | 3.1×1.6 | 0.394 | | 0.0394-114.31 |
| | 25# | 4.8×1.6 | 0.652 | | 0.0652-190.00 |
| | 1×1 | 1×1 | 0.05 | | 0.005-15.01 |
| | 2×1 | 2×1 | 0.18 | | 0.018-54.63 |
| | 2.5×1 | 2.5×1 | 0.256 | | 0.0256-76.84 |
| | 3×1 | 3×1 | 0.356 | | 0.0356-108.39 |
| MiniPump02 | 1×1 | 1×1 | 0.05 | 0.1-300 | 0.005-15.01 |
| | 2×1 | 2×1 | 0.18 | | 0.018-54.63 |
| | 2.5×1 | 2.5×1 | 0.256 | | 0.0256-76.84 |



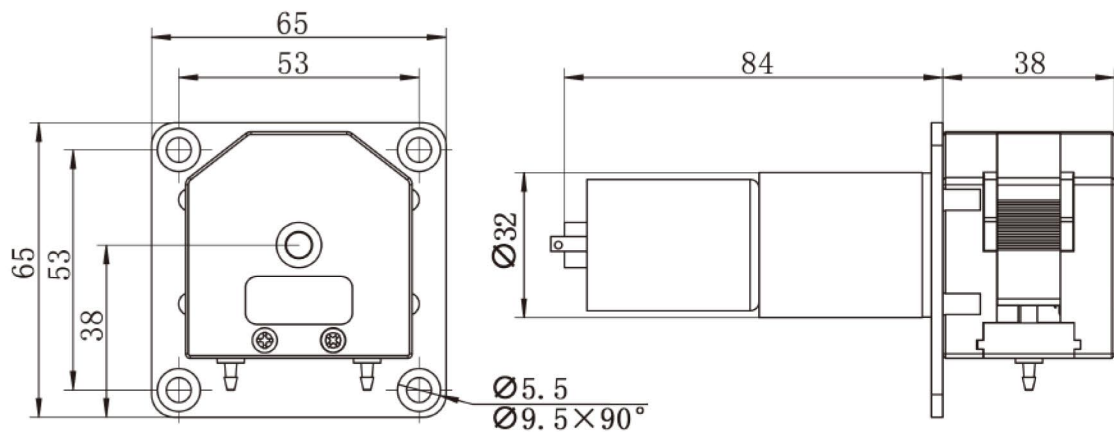
| Moter Speed(rpm) | Dual Channel Flow rate(mL/min) and Tubing(1mm wall thickness) | | | |
|------------------|---|--------|----------|--------|
| | ID 1mm | ID 2mm | ID 2.5mm | ID 3mm |
| 5 | 0.25 | 0.90 | 1.28 | 1.78 |
| 10 | 0.49 | 1.84 | 2.59 | 3.52 |
| 15 | 0.74 | 2.76 | 3.85 | 5.30 |
| 25 | 1.25 | 4.57 | 6.43 | 8.80 |
| 40 | 2.00 | 7.31 | 10.25 | 14.02 |
| 50 | 2.52 | 9.14 | 12.78 | 17.47 |
| 75 | 3.76 | 13.64 | 19.04 | 26.12 |
| 100 | 5.03 | 18.17 | 25.42 | 35.34 |
| 200 | 10.12 | 36.45 | 51.27 | 71.44 |
| 250 | 12.63 | 45.75 | 64.34 | 88.35 |
| 300 | 15.01 | 54.63 | 76.84 | 108.39 |

| Moter Speed(rpm) | Single Channel Flow rate(mL/min) and Tubing(1.6mm wall thickness) | | | | |
|------------------|---|--------------|--------------|--------------|--------------|
| | 13# ID 0.8mm | 14# ID 1.6mm | 19# ID 2.4mm | 16# ID 3.1mm | 25# ID 4.8mm |
| 5 | 0.12 | 0.56 | 1.26 | 1.97 | 3.26 |
| 10 | 0.26 | 1.15 | 2.53 | 3.90 | 6.41 |
| 15 | 0.39 | 1.74 | 3.80 | 5.80 | 9.52 |
| 25 | 0.66 | 2.88 | 6.31 | 9.59 | 15.74 |
| 40 | 1.08 | 4.59 | 10.11 | 15.29 | 25.15 |
| 50 | 1.34 | 5.69 | 12.62 | 18.96 | 31.14 |
| 75 | 2.00 | 8.54 | 18.93 | 28.36 | 46.55 |
| 100 | 2.73 | 11.37 | 25.27 | 37.66 | 61.98 |
| 200 | 5.46 | 22.76 | 50.82 | 76.02 | 124.14 |
| 250 | 6.81 | 28.40 | 65.39 | 95.08 | 153.63 |
| 300 | 8.28 | 33.88 | 77.23 | 114.31 | 190.00 |

Motor Specification

| Model No. | Motor Type | Power Supply | Motor Speed (rpm±10%) | Flow Rate (mL/min) |
|-----------|-----------------------------|--------------|-----------------------|--------------------|
| OEM-MZ001 | Φ37 DC motor | DC12V | 170 | ≤107.67 |
| OEM-MZ004 | | | 300 | ≤190.00 |
| OEM-MZ104 | | DC24V | 20 | ≤12.67 |
| OEM-MZ107 | | | 100 | ≤61.98 |
| OEM-MZ108 | | | 160 | ≤101.33 |
| OEM-MZ111 | | | 300 | ≤190.00 |
| OEM-MZ304 | Φ32 DC planetary gear motor | DC24V | 50 | ≤31.14 |
| OEM-MZ306 | | | 100 | ≤61.98 |

Dimension Drawing (Unit:mm)



Tubing Installation Procedure



A. Make the two tubing clamps align the slide way of pump head two sides.



B. Ensure that the tubing is in the middle of rollers, and push the clamps into the pump head.



C. Make the compression block align the upper slide way of pump head.



D. Press the compression block into the pump head, and ensure it fixed.